

TROUBLE SHOOTING

PROBLEM	POSSIBLE CAUSE	SOLUTION
Light will not come on.	A. Light switch is turned off. B. Fuse is blown or circuit breaker is turned off. C. Incorrect circuit wiring. D. Defective switch.	A. Turn light switch on. B. Replace fuse or turn circuit breaker on. C. Verify that fixture is wired properly. D. Test or replace the switch.
The fuse blows or circuit breaker trips when the light is turned on.	The wires are crossed or the power wire is grounded out.	Check the wiring connections.
Light will not dim.	Dimmer may not be compatible.	Go to www.honeywelledlighting.com or call IDC customer service to check your dimmer compatibility.

FCC WARNING:

WARNING: Changes or modifications to this unit not expressly approved by the party responsible for compliance could void the user authority to operate the equipment.

NOTES: This equipment has been tested and found to comply with the limits for a Class B digital device, pursuant to Part 15 of the FCC Rules. These limits are designed to provide reasonable protection against harmful interference in a residential installation. This equipment generates, uses and can radiate radio frequency energy and, if not installed and used in accordance with the instructions, may cause harmful interference to radio communications.

However, there is no guarantee that interference will not occur in a particular installation. If this equipment does cause harmful interference to radio or television reception, which can be determined by turning the equipment off and on, the user is encouraged to try to correct the interference by one or more of the following measures:

- Reorient or relocate the receiving antenna.
- Increase the separation between the equipment and receiver.
- Connect the equipment into an outlet on a circuit different from that to which the receiver is connected.
- Consult the dealer or an experienced radio/TV technician for help.

This light is compatible with many dimmers including, but not limited to the following models:

BRAND	MODEL#
LUTRON	DV-600
	MA-600
	S-600
	MSCL-OP153M
	DVCL-153P
LEVITON	6672
	6631

NOTE:

A dimmer is not included with this light, but works with compatible dimmers. Dimmer manufacturers offer multiple color variations of dimmers which may affect the model#. If you are unsure if your dimmer is compatible or your dimmer is not listed, please contact our customer service department for assistance.

Sky Rich Star Limited

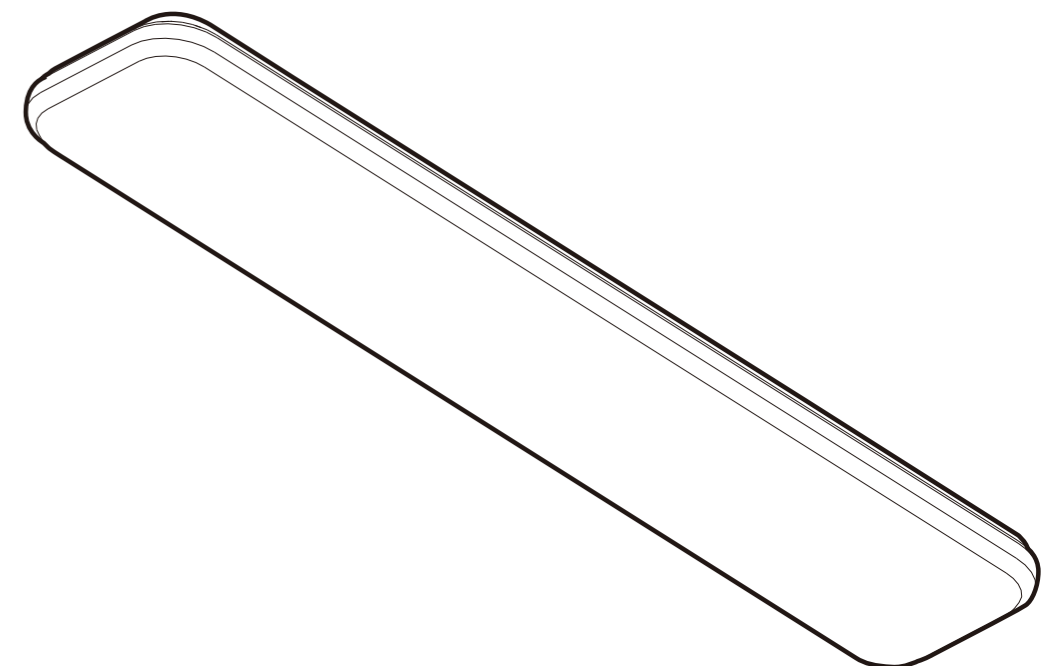
UNIT E, 10/F, WORLDWIDE CENTRE,
123 TUNG CHAU STREET, TAI KOK TSUI,
KL, HONG KONG
Toll-free: 1-877-723-0723

Made in China
© 2019 Sky Rich Star Limited, all rights reserved.
The Honeywell Trademark is used under license from Honeywell International Inc.
Honeywell International Inc. makes no representations or warranties with respect to this product. This product is manufactured for Sky Rich Star Limited.

Honeywell

EN 4' LED Ceiling Light
Use and Care Guide
Read and Save These Instructions Before Use

Model: KT145D846XXX



Honeywell

SAFETY INFORMATION

WARNING: Read all safety precautions and installation instructions carefully before installing or servicing this fixture. Failure to comply with these instructions could result in a potentially fatal electric shock, fire, and/or property damage.

IMPORTANT: lisez attentivement toutes les précautions de sécurité et les installations avant d'installer ou de réparer ce luminaire. Le non respect de ces instructions peut entraîner un choc électrique et / ou des dégâts matériels potentiellement fatals.

- To reduce the risk of electrical shock or other personal injury which could be hazardous or fatal, ensure the power is turned OFF at the fuse or breaker box before making any electrical connections or removing the old fixture.
- Changes or modifications not expressly approved by the party responsible for compliance could void the user's authority to operate the equipment.
- Must be connected to 120 volt, 60 Hz power source.
- Fixture may be directly mounted to the ceiling.
- Suitable for wall mount.
- NOT suitable for ground locations. Minimum of 4 feet or higher.
- Fixture should be installed by a qualified electrician or person experienced with household wiring. The electrical system, and method of electrical connection of the fixture, must be in accordance with the National Electrical Code and local building codes.

NOT INTENDED FOR USE WITH EMERGENCY EXITS! NOT SUITABLE FOR WET LOCATIONS! CONSULT A QUALIFIED ELECTRICIAN TO ENSURE CORRECT BRANCH CIRCUIT CONDUCTOR! MINIMUM 75° C SUPPLY CONDUCTORS!

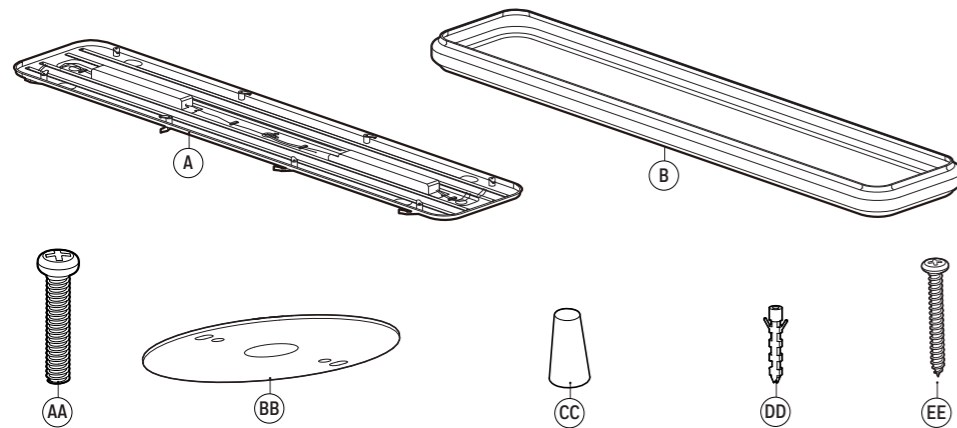
NON PRÉVU POUR UNE UTILISATION AVEC DES SORTIES D'URGENCE! NON ADAPTÉ AUX LIEUX MOUILLÉS! CONSULTER UN ÉLECTRICIEN QUALIFIÉ POUR ASSURER UN CONDUCTEUR DE CIRCUIT DE BRANCHE APPROPRIÉ! CONDUCTEURS D'ALIMENTATION MINIMUM DE 75° C!

PRE-INSTALLATION

PLANNING INSTALLATION

- Turn off the electrical power at the fuse or circuit breaker box before installing or servicing any part of this fixture.
- If replacing a fixture, remove existing fixture and make a sketch of wiring configuration (by color) or mark wires with masking tape for identification.
- Remove the lamp base and diffuser from the carton and check that all parts are included. Be careful not to misplace any of the screws or parts needed for installing the fixture.
- Diffuser is fragile. Carefully set aside in a safe location to avoid damage until ready to be installed.

HARDWARE INCLUDED



- | | | |
|--------------|---|---|
| A) Lamp Base | AA) Small Pin Cross Machine Screws (2)
8#-32UNC-2A-L0.79 | DD) Wall Anchors (4)
Nominal Size D8*28; Material |
| B) Diffuser | BB) Mounting Bracket (1)
Custom Parts | EE) Large Pointed Pin Cross Wood Screws (4)
8#-15A-L1.38 |
| | CC) Wire Nuts (3)
P4 (10-22 AWG) | |

INSTALLATION

CAUTION: Before beginning installation turn off the circuit breaker and light switch.

STEP 1

Feed the connection wire through one of the knock out holes and slide connection wire beneath metal tabs. Bend tabs to hold wire in place. (Figure 1)

The light is manufactured with 3 knock out holes to provide flexibility in the event of unique installation needs. If one of the Stand-By Knockout locations is used the wire should be extended by the consumer.

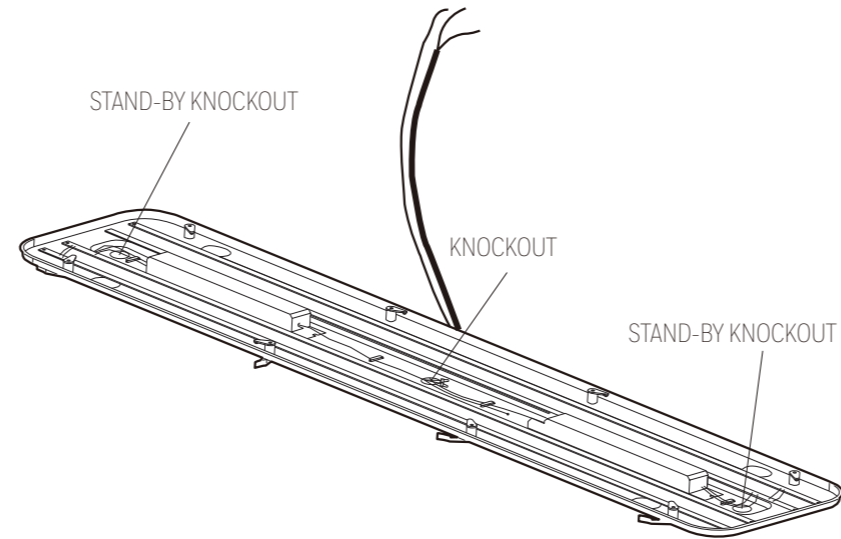


Figure 1

Mount the mounting bracket (Part BB) to the junction box and secure using the 2 small machine screws in the mounting bracket (Part AA). Connect the AC wires to the corresponding wires (BLACK to BLACK, WHITE to WHITE and GROUND to GROUND) in the junction box and secure using wire nuts (Part CC). (Figure 2)

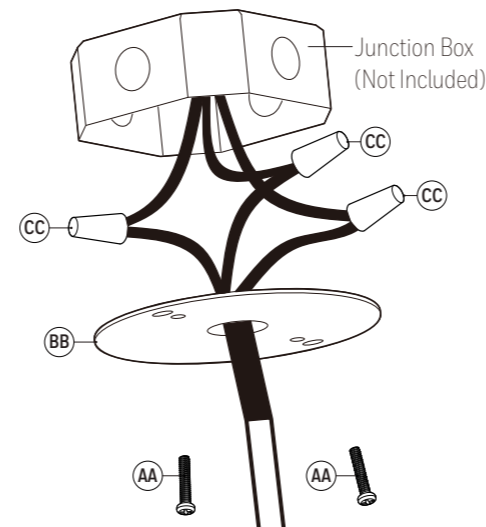


Figure 2

INSTALLATION

STEP 2

NOTE: The screws and nuts that are pre-installed on the mounting bracket (Part BB) should be test fitted to ensure only 3/16" of thread is exposed in order to firmly install lamp.

Drill a 1/4 in. pilot hole into the marked screw locations. Insert wall anchors (Parts DD). Start the screws (EE) but do not tighten fully. Slide the lamp base (A) over until the narrow legs of the keyhole slots are under the heads of the screws (EE). Finish tightening the screws (EE) until they are firmly seated and the lamp base (A) is tightly secured to the mounting surface. (Figure 3)

NOTE: The wall anchors (DD) are only to be used for mounting the fixture onto plaster or drywall surfaces.

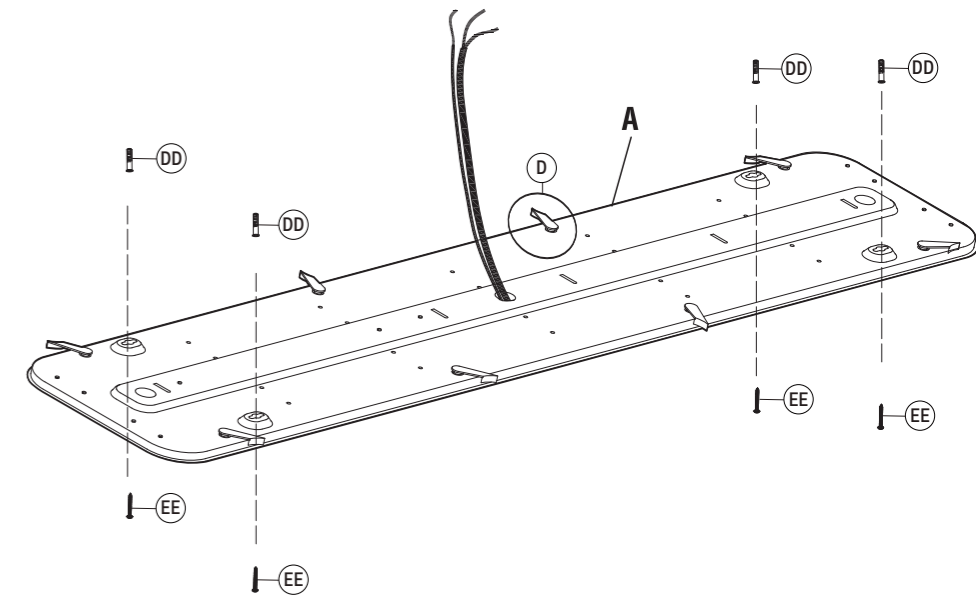


Figure 3

STEP 3

Ensure diffuser latches (D) are open prior to attaching lamp base. Position the diffuser (B) over the lamp base (A) to mount. Make sure diffuser is fully seated on lamp base before latching. Turn diffuser latches (D) to the right until they are closed. Restore power to the fuse box and turn light switch on to activate the fixture.